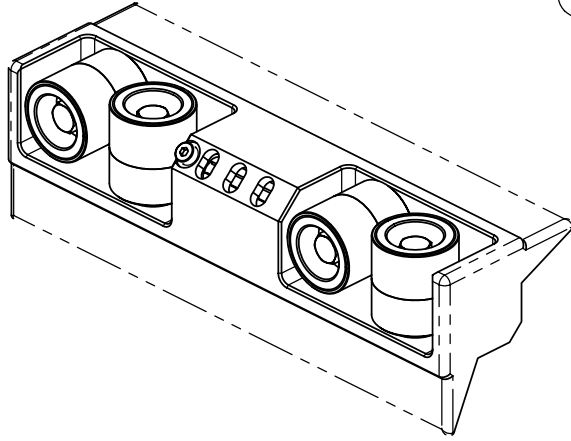
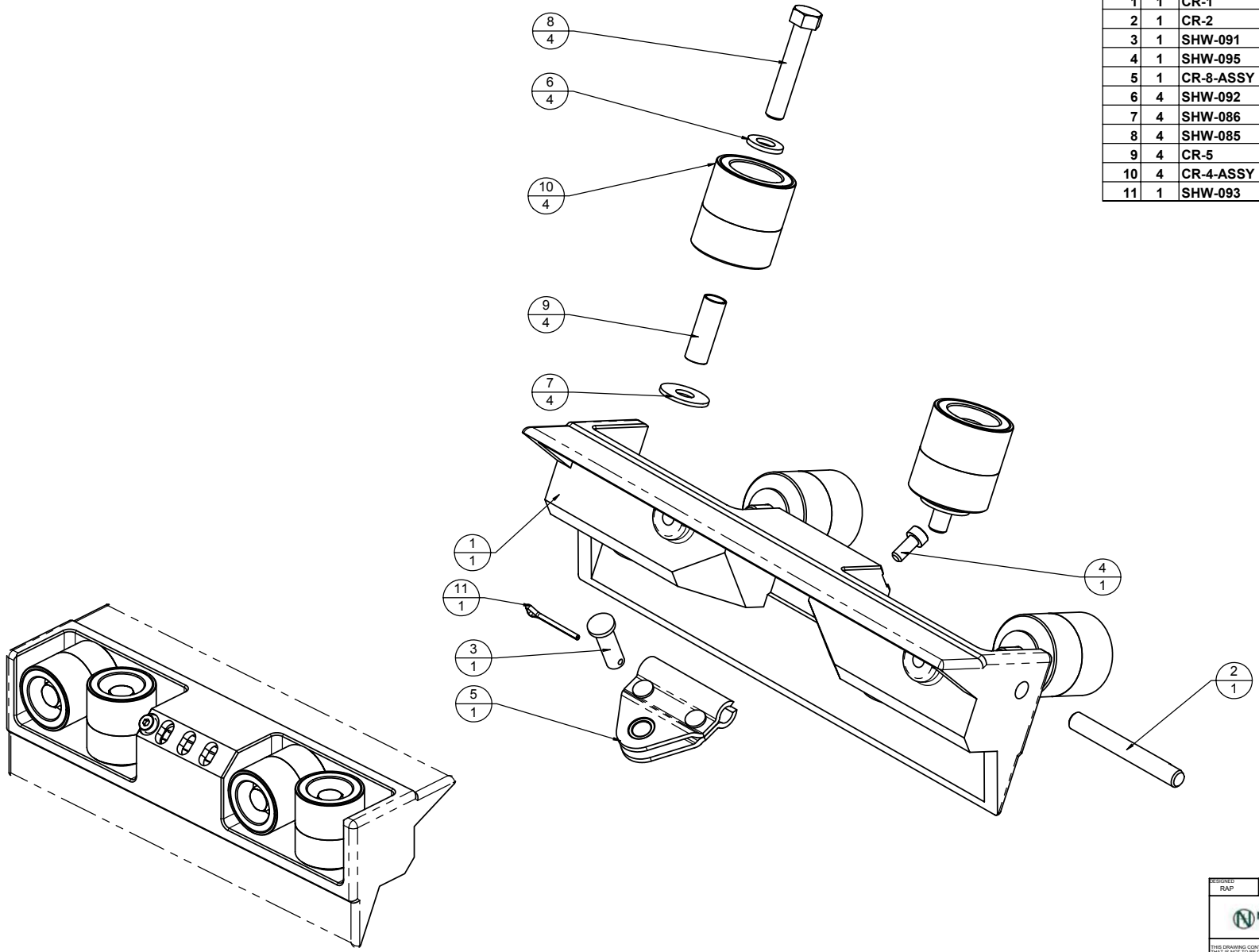


ITEM	QTY	PART NO	DESCRIPTION
1	1	CR-1	ROLLER HEAD
2	1	CR-2	HINGE PIN
3	1	SHW-091	1/4 DIAx3/4 LG CLEVIS PIN
4	1	SHW-095	8-32x3/8 LG HEX SOCKET CAP SCREW
5	1	CR-8-ASSY	HINGE ASSEMBLY
6	4	SHW-092	1/4 IDx 1/2 OD FLAT WASHER
7	4	SHW-086	11/16 ODX.26 IDx.05 THK FLAT WASHER
8	4	SHW-085	1/4x1-3/8 PART THREAD HEX HEAD BOLT
9	4	CR-5	ROLLER BUSHING
10	4	CR-4-ASSY	ROLLER ASSEMBLY
11	1	SHW-093	5/64x3/4 COTTER PIN



DESIGNED RAP	DATE (YYYYMMDD) 2002.04.14	DRAWN MM	DATE (YYYYMMDD) 2002.04.14	APPROVED MM	DATE (YYYYMMDD) 2002.04.14
			UNLESS OTHERWISE SPECIFIED: DIMENSIONS ARE IN INCHES TOLERANCES: FRACTIONAL #/64 DECIMAL #.1 TWO PLACE DECIMAL #.005 THREE PLACE DECIMAL #.0005 ANGULAR #/4 HORIZONTAL VERTICAL HORIZONTAL VERTICAL		
THIS DRAWING CONTAINS PROPRIETARY INFORMATION THAT IS NOT TO BE DISCLOSED TO OTHERS OR USED IN PRODUCTION OR IN ANY OTHER MANNER WITHOUT THE WRITTEN CONSENT OF NORTHSTAR TOOL CORPORATION.			TITLE <b>CORNER ROLLER ASSY.          CORNER ROLLER</b>		
REVISIONS REV. DESCRIPTION DATE BY APPR B UPDATED TO LATEST NORTHSTAR STANDARDS 02.10.17 RD MW			DWG. NO. <b>CR-00</b>		REV. <b>B</b>
NORTHSTAR TOOL CORPORATION PRODUCTS AND DESIGN ARE PROTECTED BY VARIOUS PATENTS AND PATENTS PENDING.			SCALE: N/A SIZE: D UNITS: IN SHEET 1 OF 1		